

MUSE

WP6 report

F. Spinella

INFN Pisa

MUSE SB meeting
6 July 2018

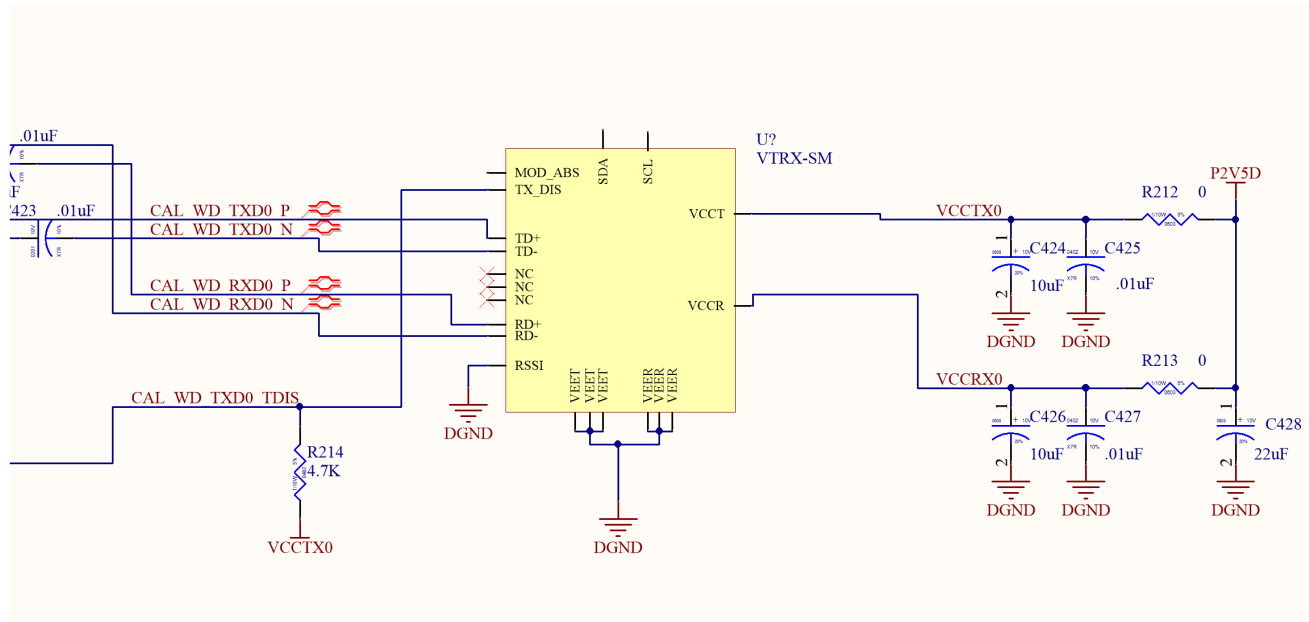
Transfer of Knowledge

During June 2018 we continued the transfer of knowledge activities between INFN and Prisma.

One senior engineer (Dimitrios Chatzidimitriou) from Prisma was seconded for one month to INFN Pisa. He is an expert of microcontroller programming and embedded systems, but not of designs based on FPGA and he was willing to learn how to use them.

While in Pisa he collaborated with INFN engineers (mainly Elena Pedreschi) on the design of the next version of the digitizer board for Mu2e. In particular the team where he was involved was able to define the pinout of the new FPGA (Polarfire MPF300) and also to modify the design to handle the new optical driver (VTRX).

Example of the work done ...



Optical transceiver on the Mu2e digitizer board (DIRAC) replaced by radiation hard VTRX device by Prisma engineer Dimitrios Chatzidimitriou